

Operator's manual

Vibratory plate

DPU

4545, 5545, 6555

09.2014

5100017353en / 01



Manufacturer

Wacker Neuson Produktion GmbH & Co. KG

Preussenstrasse 41

80809 Munich

www.wackerneuson.com

Tel.: +49-(0)89-354 02-0

Fax: +49-(0)89-354 02-390

Original operator's manual



**WACKER
NEUSON**

1	Preface	6
2	Introduction	7
	2.1 Using the manual	7
	2.2 Storage place for the manual	7
	2.3 Accident prevention regulations	7
	2.4 Further information	7
	2.5 Target group	8
	2.6 Explanation of symbols	9
	2.7 Wacker Neuson Contact partner	10
	2.8 Limitation of liability	10
	2.9 Identification of the machine	11
3	Security	12
	3.1 Policy	12
	3.2 Responsibility of the operator	13
	3.3 Obligations of the operator	13
	3.4 Personnel qualifications	13
	3.5 General hazards	14
	3.6 General safety information	14
	3.6.1 Working area	14
	3.6.2 Service	14
	3.6.3 Personal safety	15
	3.6.4 Handling and use	15
	3.7 Specific safety instructions - vibratory plates	15
	3.7.1 External influences	15
	3.7.2 Operational safety	16
	3.7.3 Safety distances	17
	3.8 General safety instructions - combustion engines	17
	3.9 General safety instructions - fuel, lubricants or coolants	18
	3.10 General safety instructions - batteries	18
	3.11 Maintenance	19
	3.12 Personal Protection Equipment	20
	3.13 Safety equipment	21
	3.14 Behavior in dangerous situations	22
4	Safety and information labels	23
5	Items supplied	25
6	Construction and function	26
	6.1 Application	26
	6.2 Brief description	26
	6.3 Versions	27

7	Components and operator controls	28
7.1	Components	28
7.2	Operating elements	29
8	Transport	31
8.1	Loading and transport.....	32
9	Use and operation	34
9.1	Before starting	34
9.1.1	Checks before starting.....	34
9.1.2	Adjust centre pole	35
9.2	Notes on operation	35
9.3	Starting	36
9.3.1	Starting the machine (manual start)	37
9.3.2	Cold starting the machine (manual start).....	39
9.3.3	Starting the machine (electric starter).....	40
9.4	Operation.....	42
9.4.1	Choose travel direction.....	42
9.4.2	Compatec - Read compaction display.....	42
9.5	Turning off	43
9.5.1	Turning off the machine (manual start).....	43
9.5.2	Turning off the machine (electric starter).....	44
10	Maintenance	45
10.1	Maintenance table	46
10.2	Maintenance work	47
11	Troubleshooting	55
11.1	Fault table.....	55
11.2	Performing jump start with donor battery.....	56
12	Disposal	58
12.1	Disposal of batteries	58
13	Accessories	59
14	Technical data	60
14.1	Combustion engine.....	62
15	Technical data	64
15.1	Combustion engine.....	68
16	Technical data	70
16.1	Combustion engine.....	74

EC Declaration of Conformity	77
EC Declaration of Conformity	79
EC Declaration of Conformity	81



1 Preface

This operator's manual contains information and procedures for the safe operation and safe maintenance of your Wacker Neuson machine. For your own safety and to protect against injuries, you must thoroughly read the safety instructions, familiarize yourself with them and observe them at all times.

This operator's manual is not a manual for extensive maintenance or repair work. Such work should be carried out by the Wacker Neuson service or by certified personnel.

When building this equipment, great value was placed on the safety of its operator. However, an improper operation or improper maintenance can pose hazards. Please operate and maintain your Wacker Neuson machine in accordance with the information in this operator's manual. It will reward your attention by providing you with a trouble-free operation and high availability.

Defective machine parts must be replaced immediately!

Please contact your Wacker Neuson contact partner for questions regarding the operation or repair.

All rights are reserved, in particular the right of duplication and distribution.

Copyright 2014 Wacker Neuson Produktion GmbH & Co. KG

This operator's manual - even in part - may only be reproduced, used, copied or distributed with the expressed, prior written consent from Wacker Neuson.

Any type of reproduction, distribution or storage on data carriers in any form or type that is not approved by Wacker Neuson represents a violation of the valid copyright and will be prosecuted.

We reserve the express right to technical changes that are used to improve our machines or increase the safety standard, even without special notice.

2 Introduction

2.1 Using the manual

This manual must be regarded as part of the machine and must be kept safe throughout its service life. This manual must be passed on to any subsequent owner or user of this machine.

2.2 Storage place for the manual

This manual is a component of the machine and must be kept accessible to personnel in the immediate vicinity of the machine at all times.

In the event of loss or requirement for a second copy of this manual there are two options to obtain replacement:

- Download from the internet - www.wackerneuson.com
- Get in touch with Wacker Neuson contact person.

2.3 Accident prevention regulations

In addition to the instructions and safety information in this manual, local accident prevention regulations and national health and safety regulations apply.

2.4 Further information

This manual applies to various machine types from one product series. For this reason, some figures may vary slightly in appearance from the purchased machine. In addition, variant-specific components may be described here that are not included.

The information contained in this manual is based on machines manufactured up to the date of printing. Wacker Neuson reserves the right to make unannounced changes to this information.

It must be ensured that any changes or additions are introduced immediately in this manual by the manufacturer.

2.5 Target group

Notice: Persons working with this machine must be regularly trained about the dangers of dealing with the machine.

This operator's manual is directed at the following persons:

Operating personnel:

These people are trained on the machine and informed about possible hazards of improper conduct.

Technically trained personnel:

These people have a professional education as well as additional knowledge and experience. They are able to assess the tasks assigned to them and to recognise potential hazards.

2.6 Explanation of symbols

This manual contains particularly emphasized safety instructions for the categories: DANGER, WARNING, CAUTION and NOTE.

Before all work using this machine the notes and safety instructions must be read and understood. All instructions and safety information in this manual must be passed on to the service, maintenance and transport personnel.



DANGER

This combination of symbol and signal word indicates a hazardous situation that will result in death or serious injury if not avoided.



WARNING

This combination of symbol and signal word indicates a hazardous situation that may result in death or serious injury if not avoided.



CAUTION

This combination of symbol and signal word indicates a potentially hazardous situation that may result in minor injuries or damage to the machine if not avoided.

Note

Notice: Additional information.

2.7 Wacker Neuson Contact partner

The Wacker Neuson contact partner is, depending on the country, a Wacker Neuson service, a Wacker Neuson subsidiary or a Wacker Neuson dealer.

Online at www.wackerneuson.com.

The manufacturer's address can be found at the beginning of this manual.

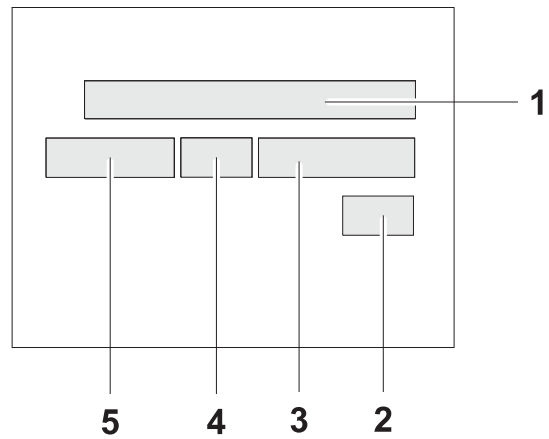
2.8 Limitation of liability

For the following violations, Wacker Neuson rejects any liability for personal injury and material damage:

- Failure to follow this manual.
- Improper use.
- Use of untrained personnel.
- Use of non-approved spare parts and accessories.
- Improper handling.
- Structural modifications of any kind.
- Failure to comply with the "General Terms and Conditions" (GTC).

2.9 Identification of the machine

Data of the nameplate



The nameplate contains information that uniquely identifies this machine. This information is required for ordering spare parts and when inquiring about technical issues.

► Enter information on the machine in the following table:

Pos.	Designation	Your information
1	Group and type	
2	Year of manufacture	
3	Machine no.	
4	Version no.	
5	Item no.	

3 Security

Notice: Read and observe all notes and safety instructions in this manual. Failure to comply with these instructions may lead to electric shock, fire and/or serious injury and may cause damage to the machine and/or to other objects. Store the safety instructions and notes for future use.

3.1 Policy

State of the art

The machine is built according to the latest state of the art and the recognized safety rules. However, improper use can present hazards to the life and limb of the user, third persons or damage the machine and other equipment during use.

Intended use

The machine may only be used for the following purposes:

- Compacting soil.
- Compacting asphalt.
- Vibration of paving stones.

The machine may not be used for the following purposes:

- Compacting of strongly cohesive soils.
- Compacting frozen soil.
- Compacting hard, non-compressible surfaces.
- Compaction of unsound soils.

Intended use also includes the observance of all instructions and safety information in this manual, as well as complying with the required service and maintenance instructions.

Any other or additional use is considered improper. The manufacturer is not liable for any resulting damage. The risk is borne by the operator alone.

Structural changes

Structural modifications may not be made without the written permission of the manufacturer. Unauthorized structural changes of this machine may lead to hazards for users and/or third parties and damage to the machine.

The manufacturer is also not liable in the event of unauthorized structural changes.

In particular, the following cases are considered structural changes:

- Opening the machine and the permanent removal of components.
- Installation of spare parts that do not originate from Wacker Neuson or are not comparable in the design system and quality of the original parts.
- Fitting of any kind of accessories not originating from Wacker Neuson.

3.2 Responsibility of the operator

The operator is the person who operates this machine for industrial or commercial purposes or gives it to a third party for use / application and during operation bears the legal product responsibility for the safety of personnel or third parties.

The operator must make the manual accessible to personnel at all times and ensure that the user has read and understood this manual.

3.3 Obligations of the operator

- To be familiar with and implement applicable health and safety regulations.
- To identify in a risk assessment hazards arising from working conditions on the site.
- To create operator's manuals for the operation of this machine.
- To periodically check whether the operation instructions reflect the current state of the regulations.
- To regulate and specify responsibilities for operation, troubleshooting, maintenance and cleaning.
- To train personnel at regular intervals and inform them about possible dangers.
- To provide staff with the necessary protective equipment.

3.4 Personnel qualifications

This machine may only be installed and operated by trained personnel.

Misapplication or misuse by untrained personnel can endanger the health of the user and/or third parties, including damage to or total failure of the machine.

In addition, the following requirements apply to the user:

- To be physically and mentally fit.
- Not to be under the influence of drugs, alcohol or medication.
- To be familiar with the safety instructions in this manual.
- To be familiar with the proper use of this machine.
- To be a minimum of 18 years of age to operate this machine.
- Has been instructed in the independent operation of the machine.
- Is entitled to operate equipment and systems independently, in accordance with the standards of safety engineering.

3.5 General hazards

Residual hazards are special hazards that cannot be eliminated when dealing with machines despite the safety-compliant construction.

These residual hazards are not obvious and can be a source of possible injury or health hazards.

If unforeseen residual risks arise, the machine is to be switched off immediately and the responsible manager informed. This manager will take further decisions and will do everything necessary to eliminate the arising hazard.

If required, the machine manufacturer must be informed.

3.6 General safety information

The safety instructions in this chapter include the "General safety instructions", which should be set out in the manual in accordance with the applicable standards. It may contain information not relevant for this machine.

3.6.1 Working area

- Before starting work be familiar with the working environment, e.g. the bearing capacity of the soil or obstacles in the environment.
- Secure the working area from the public transport area.
- Keep working area tidy. Cluttered or poorly lit areas may lead to accidents.
- Working with this machine in a potentially explosive environment is prohibited.
- Keep children and other people away when operating this machine. Distractions may lead to loss of control of the machine.
- Always secure the machine against tipping, rolling, sliding and crashing. Risk of injury!

3.6.2 Service

- Only allow the machine to be repaired or maintained by qualified technically trained personnel.
- Use only original spare parts and accessories. The operational safety of the machine is thus maintained.

3.6.3 Personal safety

- Working under the influence of drugs, alcohol or medication can lead to serious injury.
- For all work appropriate protective equipment should be worn. Appropriate personal protective equipment reduces the risk of injury considerably.
- Remove tools before the machine is put into operation. Tools on a rotating machine part can be ejected and cause serious injury.
- Always ensure stability.
- After prolonged working with this machine, vibration-induced long-term damage cannot be ruled out completely. For exact values for vibration measurement, see chapter *Technical data*.
- Wear appropriate clothing. Keep baggy or loose clothing, gloves, jewelry and long hair away from moving/rotating machinery. Danger of being pulled in!

3.6.4 Handling and use

- Do not use machines with defective switches. Have the defective switches replaced immediately. Machines with defective switches carry a high risk of injury.
- Store unused machines out of the reach of children. Machines may only be operated by authorized personnel.
- Treat machines with care. Have defective parts immediately replaced before this machine is put into operation. Defective machines carry a high risk of accidents.
- Use the machine, accessories, tools etc. in accordance with these instructions.

3.7 Specific safety instructions - vibratory plates

3.7.1 External influences

The vibratory plate must not be operated in the event of the following external influences:

- Heavy rain on inclined surfaces. Slipping hazard!
- Oil field environments - methane leaks from the soil. Explosion hazard!
- In dry, flammable vegetation. Fire hazard!
- In potentially explosive environments. Explosion hazard!

3.7.2 Operational safety

- During operation of the machine ensure that no gas, water or electric lines or pipes are damaged.
- The machine must not be used in tunnels or within closed areas in operation.
- Pay the utmost attention near drops or slopes. Falling hazard!
- The intended operator's position is behind the center pole, do not leave while the unit is operational.
- Do not allow the machine to run unattended. Risk of injury!
- Demarcate work area spaciouly and keep unauthorized persons away. Risk of injury!
- Operators this machine must ensure that persons who are present in the work area comply with a minimum distance of 2 meters from the operational machine.
- Do not use start help sprays. They can cause misfires and engine damage. Fire hazard!
- When operating the machine on sloping surfaces, always approach gradients from the bottom and always stand above the machine on a slope. The machine could slip or tip over.
- Do not exceed the maximum permissible tilt of the machine - possible loss of engine lubrication, see Chapter *Technical data*.
- Only use Wacker Neuson batteries. They are vibration resistant and therefore suitable for high vibration loads.

3.7.3 Safety distances

Compaction work close to buildings can cause damage. For this reason, all potential impacts and vibrations have to be tested on surrounding buildings in advance.

The relevant rules and regulations for the measurement, assessment and control of vibration emissions must be observed.

Wacker Neuson accepts no liability for any damage to buildings.

3.8 General safety instructions - combustion engines

The following instructions must be adhered to:

- Check the engine before starting work for leaks and cracks in the fuel line, tank and fuel cap.
- Do not use a defective engine. Replace damaged parts immediately.
- The preset engine speed must not be adjusted. This could lead to engine damage.
- Make sure that the exhaust muffler of the engine is free of debris. Fire hazard!
- Before refueling, switch off engine and allow to cool.
- Use the correct fuel type. Fuel must not be mixed with other liquids.
- For refueling, use clean filling aids. Do not spill fuel; wipe up any spilled fuel immediately.
- Engine must not be started near spilled fuel. Explosion hazard!
- When operating in partially-enclosed spaces sufficient ventilation must be provided. Do not breathe in exhaust fumes. Poisoning hazard!
- The engine block and exhaust muffler can become very hot after a short time. Burning hazard!

Notice: This machine is equipped with an EPA-certified engine. Adjusting the speed influences the EPA certification and emissions. Adjustments to this engine may only be carried out by a professional. For more information, contact the engine manufacturer or the Wacker Neuson contact partner.

3.9 General safety instructions - fuel, lubricants or coolants

The following instructions must be adhered to:

- When handling fuels, lubricants or coolants, always wear safety glasses and protective gloves. Seek medical attention if hydraulic oil, fuel, oil or coolant gets into the eye.
- Avoid direct skin contact with fuel, lubricants or coolants. Rinse skin immediately with soap and water.
- Do not eat or drink while working with fuel, lubricants or coolants.
- Hydraulic oil or fuel contaminated by dirt or water can cause premature wear or failure of the machine.
- Dispose of discharged or spilled supplies according to applicable regulations for environmental protection.
- If fuel, lubricants or coolants emerge from the machine, cease operation of the machine and immediately have it repaired by the Wacker Neuson contact partner.

3.10 General safety instructions - batteries

The following instructions must be adhered to:

- When disconnecting the battery, always disconnect the negative terminal first!
- When connecting the battery, always disconnect the positive terminal first! Secure the terminal cover!
- Fire, sparks and smoking are prohibited when handling batteries.
- Batteries contain corrosive acid. When handling batteries, wear acid-proof protective gloves and glasses.
- Prevent incorrect connection of the battery or shorting of the terminals with tools. Short circuit hazard!

3.11 Maintenance




The following instructions must be adhered to:

- This machine may not be maintained, repaired, adjusted or cleaned while switched on.
- Observe maintenance intervals.
- After every maintenance or repair the safety devices on this machine must be replaced.
- Observe the maintenance schedule. Work not listed must be taken on by the service of the Wacker Neuson contact partner.
- Always immediately replace worn or damaged machine parts. Only use spare parts from Wacker Neuson.
- Keep the machine clean.
- Missing, damaged or illegible safety stickers must be replaced immediately. Safety stickers contain important information for the protection of the user.
- Maintenance work must be carried out in a clean and dry environment (e.g. a workshop).



3.12 Personal Protection Equipment

Notice: To avoid personal injury as much as possible when using this machine, personal protective equipment must be worn when working on or with this machine.

Pictogram	Significance	Description
	Use safety shoes!	Safety shoes protect against crushing, falling and slipping on slippery surfaces.
	Use protective gloves!	Protective gloves protect against abrasions, cuts, punctures as well as hot surfaces.
	Use ear protection!	Ear protection protects against permanent hearing damage.

Notice: This machine may exceed the country-specific permissible noise limit (personal rating level). This is why ear protection must be worn. For exact values for noise measurement, see chapter *Technical data*.

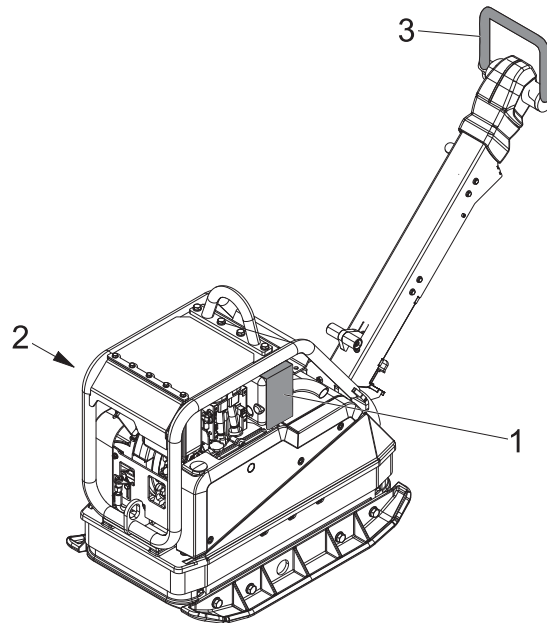
Work particularly cautiously and pay attention when wearing ear protection, as the ability to hear noises, such as screams or signal tones, is restricted.

Wacker Neuson recommends always wearing ear protection.

3.13 Safety equipment

Safety equipment protects the user of this machine before exposing themselves to existing hazards. These are barriers (protective devices) or other technical measures. They prevent exposing users to danger. In certain situations the threat source is turned off and the risk reduced.

This machine has the following safety equipment:



Pos.	Description
1	Exhaust protection cover
2	Belt guard
3	Automatic neutral position control handle

Notice: Loosened screw connections are to be tightened to the specified tightening torque.

3.14 Behavior in dangerous situations

Preventive measures:

- Always be prepared for accidents.
- Have first-aid facilities at hand.
- Make personnel familiar with accident, first aid and rescue facilities.
- Keep access routes clear for emergency vehicles.
- Train personnel in first aid measures.

Measures in case of emergency:

- Switch off machine immediately.
- Remove injured and other persons from the danger area.
- Perform first aid measures.
- Alert rescue workers.
- Keep access routes clear for emergency vehicles.
- Inform managers on site.

4 Safety and information labels



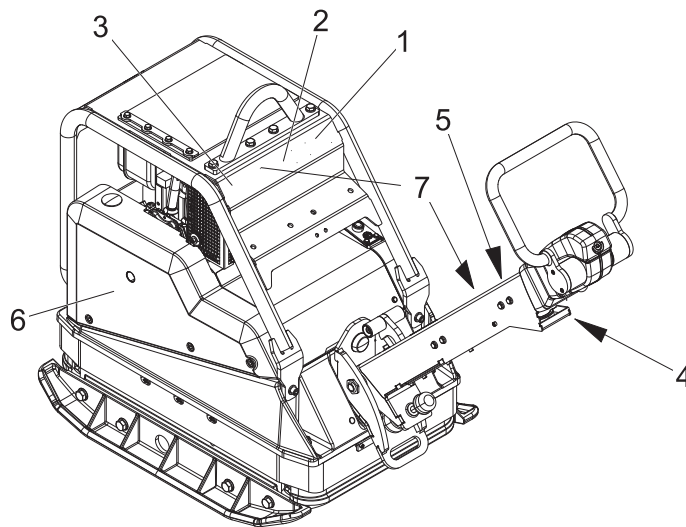
WARNING

Illegible symbols

Over time, stickers and signs on the machine can get dirty or otherwise become illegible.






- ▶ Keep all safety, warning, and operating instructions on the machine in good readable condition.
- ▶ Replace damaged stickers and signs immediately.

The following stickers are found on the machine:



Pos.	Label	Description
1		Use personal protection equipment in order to avoid injuries and health hazards: <ul style="list-style-type: none"> ■ Ear protection. ■ Read operator's manual.
2		A falling machine can cause serious injury. <ul style="list-style-type: none"> ■ Only lift the machine at the central lifting point with certified hoist and lifting tackle (safety load hook). ■ Do not lift the machine with excavator bucket at the central lifting point. ■ Do not lift the machine with forklift at the central lifting point.

4 Safety and information labels

Pos.	Label	Description
3		Guaranteed sound power level.
4		Start-stop.
5		A falling machine can cause serious injury. <ul style="list-style-type: none"> Do not lift the machine at the control handle or the centre pole.
6	DPU 45.., DPU 55.. 	Warning. Body parts can be crushed or cut by rotating engine parts. <ul style="list-style-type: none"> Do not touch once the starting crank is active.
7	US machines 	Warning.

5 Items supplied

The machine is delivered fully assembled and is ready for operation out of the box.

Included in the delivery:

- Vibratory plate
- Starting crank (optional)
- Operator's manual
- Parts book



6 Construction and function

6.1 Application

The vibratory plate is used for the compaction of soils and is used in gardening and landscaping, civil engineering and road and pavement construction.

6.2 Brief description

The vibratory plate is a machine that compacts soil.

The vibration required for compaction is produced by the exciter firmly connected to the base plate. This exciter is designed as a central vibrator with aligned vibrations. Such a principle permits a change in the oscillation direction by turning the eccentric weights.

Thus a continuous transition between compaction during advance travel, when standing still and in reverse travel is possible. This process is controlled hydraulically with the control handle on the centre pole head.

The drive motor secured to the upper mass drives the exciter. The torque is firmly transmitted via the centrifugal clutch and the exciter V-belt.

The centrifugal clutch interrupts at low engine speed the flow of power to the exciter and thus permits flawless idling of the drive motor.

The automatic V-belt pulley combined with the centrifugal clutch ensures during operation an optimum voltage of the exciter V-belt and relief of the exciter V-belt when moving or when transporting the machine.

In addition, the automatic V-belt pulley automatically adjusts itself according to the wear on the V-belt edges and thus makes the entire drive from the engine to the exciter maintenance-free.

The speed of the drive motor can be varied continuously, operated remotely by the throttle control lever and locked in the idle setting. Upper mass and base plate are connected to each other by 4 vibration rubber mounts. This damping prevents transmission of very high frequencies to the upper mass. Thus the functionality of the drive motor is maintained despite a high compaction performance. The drive motor operates according to the Diesel principle, is started electrically through a gear and pinion starter, sucks combustion air through a dry air filter and is air-cooled.

To facilitate the starting procedure (at very cold temperatures, with manual start) the drive motor has a decompression system. It causes the compression during cranking to be very low, but steadily increases after a few turns and then switches over to full compression.

Compatec - compaction display (optional)

The Compatec compaction display is mounted on the battery cover and is within sight of the operator. The display, consisting of eight LEDs that adapt to light conditions, shows the relative compaction progress during driving through successive illumination. When the number of illuminated LED's stops increasing, then no further compaction can be achieved with the unit in use. The operator can finish his work and avoids unnecessary passes or an over compaction of the soil.

An additional function is the overload display if the machine is operated on too hard of a substrate. The operator is notified of this through rapid flashing of all eight LED's.

The Compatec compaction display is suitable for all good and mixed (well graded) soils.

Notice: The Compatec compaction display only serves to assist in soil compaction and does not replace professional measurement of soil density by a professional.

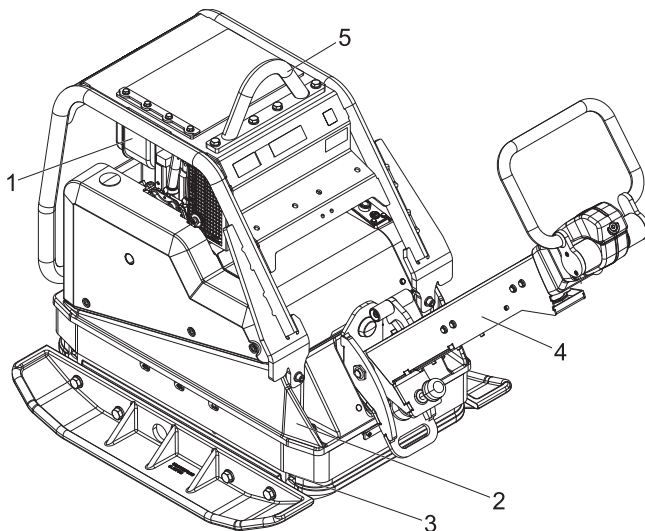
6.3 Versions

In this operator's manual different machine types are listed:

Versions	Description
M	Manual start
Mep	Manual start, extension plates
Me	Manual, electric starter
Meep	Manual, electric starter, extension plates
Mec	Manual, electric starter, Compatec compaction display

7 Components and operator controls

7.1 Components



Pos.	Designation	Pos.	Designation
1	Engine	4	Centre pole
2	Upper mass	5	Central suspension
3	Base plate		

Centre pole

The optimum working height of the centre pole can be changed by adjusting the threaded spindle.

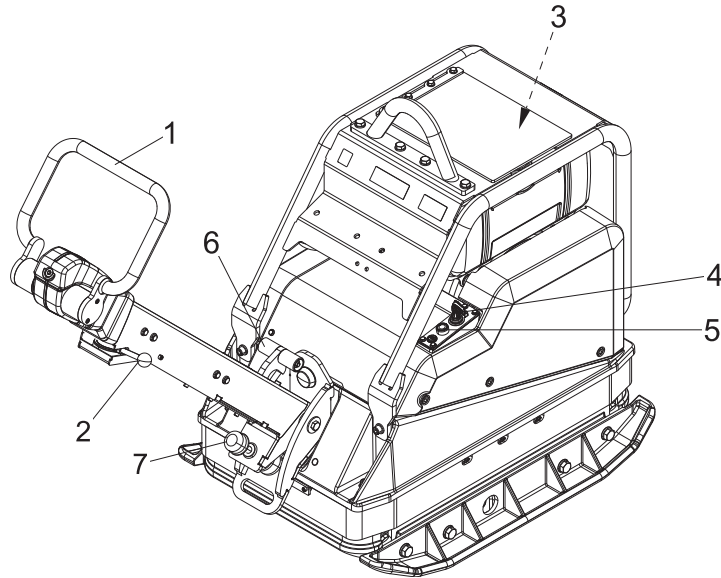
Central suspension

The central lifting point is used to lift the machine. It is located exactly at the centre of gravity of the machine, but can be set back for applications where the height is crucial.

7.2 Operating elements

Always keep displays and operating elements of the machine clean, dry and free of oil and grease.

Operator's controls such as the ON/OFF switch, throttle grips etc. may not be locked, manipulated or changed without authorisation.



Pos.	Designation	Pos.	Designation
1	Control handle	5	Starter button
2	Throttle control lever	6	Grip for centre pole lock
3	Decompression lever	7	Threaded spindle
4	Ignition lock		

Control handle

The control handle is used for continuous regulation of the speed and direction of travel.

Throttle control lever

The speed of the drive motor can be varied continuously, operated remotely by the throttle control lever and locked in the idle setting.

Decompression lever

The decompression lever may only be operated to start the engine.

Grip for centre pole lock

The grip for centre pole lock is used to release the centre pole in order to bring it into the working position.

Threaded spindle

The threaded spindle is used to set the optimum working height of the centre pole.

8 Transport

**WARNING**

Improper handling may result in injury or serious material damage.

- ▶ Read and follow all safety instructions in this operator's manual.

**DANGER**

Danger of falling.

A falling machine can cause serious injury, e.g. by crushing.

- ▶ Only use suitable and tested hoisting gear and lifting tackle (safety load hooks) with sufficient capacity.
- ▶ Only lift the machine at the central lifting point.
- ▶ Safely secure the machine to the hoist.
- ▶ Do not lift the machine with excavator bucket or forklift at the central lifting point.
- ▶ Do not lift the machine at the control handle.
- ▶ Evacuate danger area when lifting, do not stand under suspended loads.

**WARNING**

Fire and explosion hazard due to fuel.

Spilled fuel can ignite and cause serious burns.

- ▶ Lift and transport the machine upright.

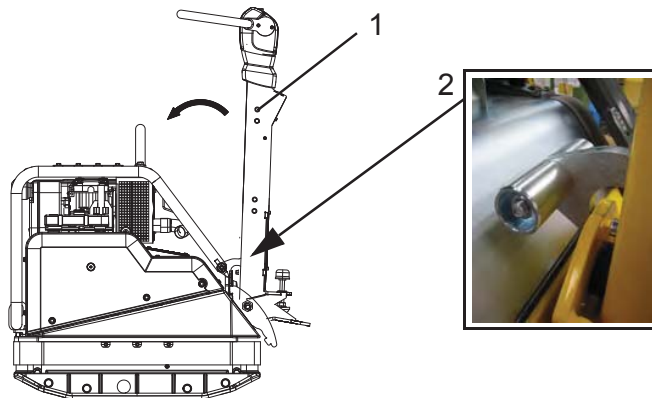
**CAUTION**

If the central lifting point of the machine is mounted offset, the machine is no longer in balance and can tip backwards.

8.1 Loading and transport

Carry out preparations

Notice: Wacker Neuson recommends emptying the fuel tank before transport.

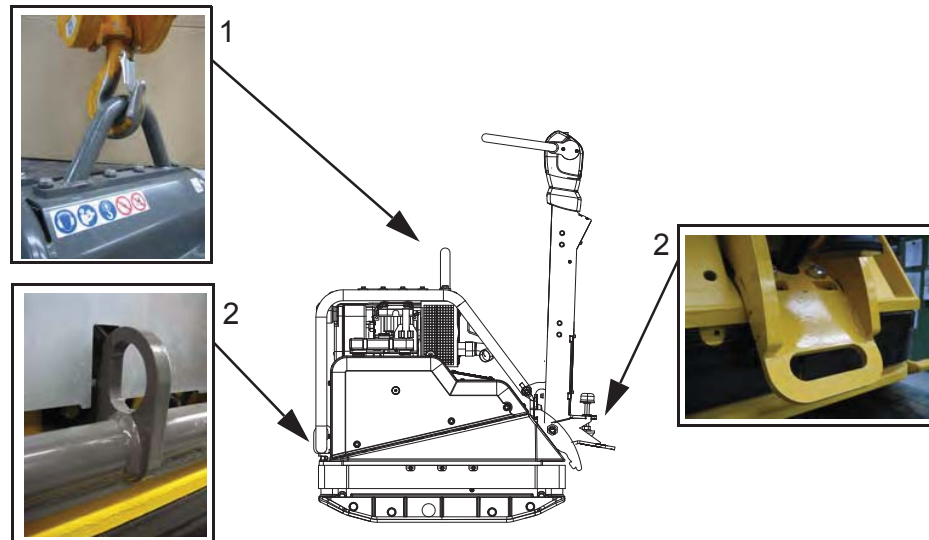


Pos.	Designation	Pos.	Designation
1	Centre pole	2	Grip for centre pole lock

During loading and transporting the centre pole must be locked by engaging the grip for the centre pole lock in a vertical centre pole position.

Lifting and tying down the machine

Notice: Designate a flagman for safe lifting.



Pos.	Designation	Pos.	Designation
1	Central suspension	2	Securing eyelets

1. When lifting the machine, attach suitable lifting tackle to the central suspension.
2. Load machine carefully in or on a viable and safe means of transport.
3. After loading, tie down the machine so that it is secured against rolling, sliding and tipping over. Tie down using the provided tie-down lugs.

9 Use and operation



WARNING

Improper handling may result in injury or serious material damage.

- ▶ Read and follow all safety instructions in this operator's manual.
-

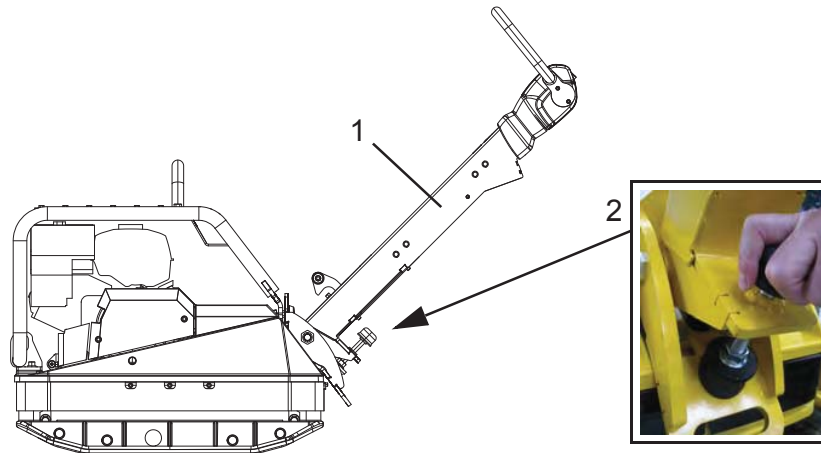
9.1 Before starting

9.1.1 Checks before starting

- Check engine and components for damage. If there is visible damage do not operate the machine and contact a Wacker Neuson dealer immediately.
- Ensure that loose packing material has been removed from the machine.
- Check the fuel supply.
- Check engine oil level.
- Check hydraulic oil level.
- Check fuel lines for tightness.
- Make sure the screwed connections are firmly in place.

Notice: Perform tests in accordance with the chapter Maintenance, top up fuel, lubricants or coolants if necessary, see chapter Technical data.

9.1.2 Adjust centre pole



Pos.	Designation	Pos.	Designation
1	Centre pole	2	Threaded spindle

The optimum working height of the centre pole can be set by adjusting the threaded spindle.

9.2 Notes on operation

**WARNING**

Danger of tipping

Risk of serious injury by machine slipping or tipping.

In the vicinity of edges is at least 2/3 of the machine must be on a sound surface.

- ▶ Turn the machine off and lift back onto a sound surface.

**WARNING**

Health hazard due to exhaust fumes

- ▶ This engine's exhaust fumes contain chemicals which are known to the State of California to be linked with cancer, birth defects or other reproductive problems.

Operating on inclined surfaces

- Within a sloping area always stand above the machine.
- Only approach gradients from the bottom (a gradient which can be easily overcome upwards can be performed downwards without any risk).
- Do not stand in the direction of descent of the machine.
- Do not exceed the maximum permissible tilt, see chapter *Technical data*.
- Only operate briefly in maximum permissible tilt.

Notice: If the maximum permissible tilt is exceeded, this implicates a failure of the engine lubrication and thus inevitably a defect in major engine parts.

Vibration of paving stones

In the event of compaction of interlocking paving stones, Wacker Neuson recommends the use of the slider to prevent damage to the machine and compaction material, see the *accessories* chapter.

9.3 Starting



DANGER

Fire hazard

Start help sprays are highly flammable, they may ignite and cause severe burns.

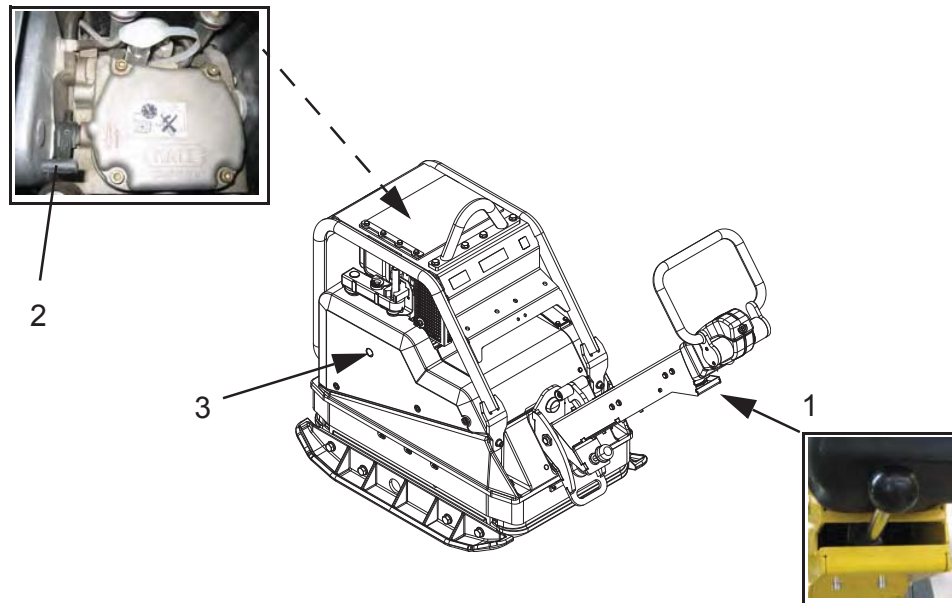
- ▶ Do not use start help sprays.
-

9.3.1 Starting the machine (manual start)

**WARNING**

Starting crank can cause serious injury.

- ▶ Do not use a defective starting crank.
- ▶ Only use a clean starting crank.



Pos.	Designation	Pos.	Designation
1	Throttle control lever	3	Starting crank support
2	Decompression lever		

1. Set the throttle control lever to full throttle position.
2. Pull decompression lever upwards.

Notice: In this position, the decompression system engages and the engine is ready to start.

3. Set sideways by the machine.
4. Insert the starting crank in the support.



5. Grasp handle grip with one hand, with the other hand support the protective cage.

Notice: After engagement of the automatic decompression five turns of the starting crank are required until the engine can compress again and ignite.

6. Turn the handle slowly anticlockwise, until the jack engages. Then rotate powerfully with increasing speed.

Notice: Once the engine starts, the decompression lever unlatches (maximum speed must be reached), the engine starts and the vibration begins.

The firm connection between the engine and the starting crank must be guaranteed by holding the crank handle without twisting and fast turning and must not be interrupted during the boot process under any circumstances.

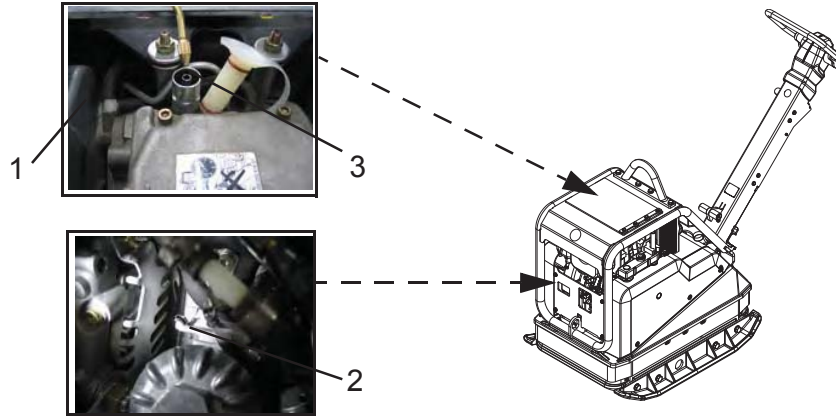
If during the start-up process a setback occurs due to weak cranking, using the handle grip, the crank web / starting crank connection is disengaged with a short reverse rotation.

With repeated start-up attempts, wait for the engine to stop. Do not activate the decompression lever while the engine is running.

7. Pull out the starting crank from the support.
8. Set the throttle control lever to idle position, engage.
9. Hang the starting crank in the provided bracket.
10. Let the machine warm up for several minutes idle.

9.3.2 Cold starting the machine (manual start)

Notice: The engine should rotate freely at temperatures below -5 °C.



Pos.	Designation	Pos.	Designation
1	Decompression lever	3	Metering device
2	Hand lever oil pressure monitoring		

1. Bring decompression lever to neutral position.
2. Crank the engine with the crank handle anticlockwise until it can rotate noticeably more freely (10 - 20 crank turns).
3. Press the hand lever of the mechanical oil pressure monitoring for 15 seconds.

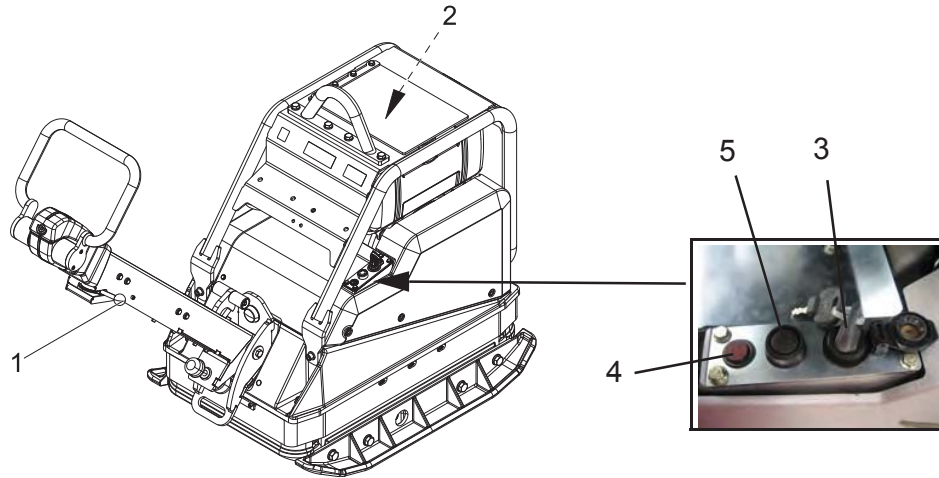
Notice: In the area of the cover of the metering device, remove dirt and take off the lid.

4. In the metering device add engine oil up to the upper edge.
5. Replace cover and press it in firmly.

Notice: Two fillings in succession are necessary.

6. Pull up decompression lever to the hilt.
7. Then start the engine immediately, see chapter *Starting the machine (manual start)*.

9.3.3 Starting the machine (electric starter)



Pos.	Designation	Pos.	Designation
1	Throttle control lever	4	Charging indicator light
2	Decompression lever	5	Starter button
3	Ignition lock		

1. Set the throttle control lever to full throttle position.

Notice: In extreme cold also operate the decompression lever - set upwards. In this position, the decompression system engages and the engine is ready to start.

2. Insert the ignition key and turn to the right, the charging indicator light will shine, the acoustic signal will sound.

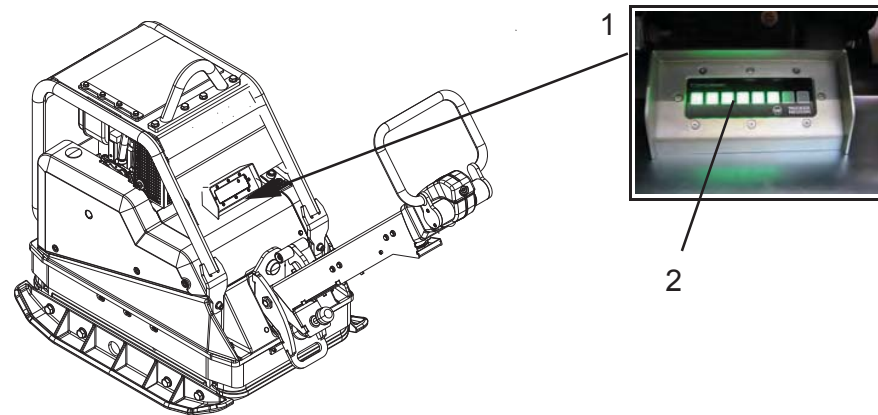
3. Hold down starter button until the engine starts up.

Notice: Once the engine starts, the vibration begins.

4. Set the throttle control lever to idle.

5. Let the machine warm up for several minutes idle.

Machine with Compatec - compaction display (optional)



Pos.	Designation	Pos.	Designation
1	Display unit	2	LEDs / light bar indicator

1. During the first few seconds after starting the engine a light bar indicator appears on the display unit.
2. The LEDs light up from left to right.

Notice: If all LEDs light up, the system is fault-free and the LEDs will switch off in succession.

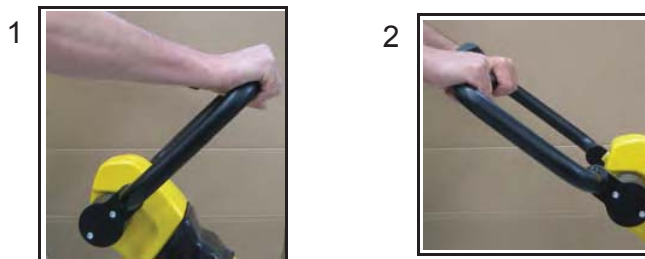
3. All the LEDs will light up again briefly with reduced brightness.
4. Thus, the sensor has been successfully tested and the display unit is ready for operation.

Notice: If all LEDs light up permanently after initialisation, the sensor has not been successfully tested, see chapter *Troubleshooting*.

9.4 Operation

- The intended operator space is behind the machine.
- Hold and steer the machine using the control handle.

9.4.1 Choose travel direction



Pos.	Designation	Pos.	Designation
1	forwards	2	backwards

1. Set the throttle control lever to full throttle position.
2. Select travel direction and speed with the control handle.

9.4.2 Compatec - Read compaction display

This display is a rough guide to the progress of work during compaction.

Notice: To protect the machine, the display unit warns the operator in case of over-compaction by rapid flashing of all LEDs. The brightness of the LEDs adjusts automatically to the lighting conditions of the work area.



- The number of LEDs lit is proportional to the density of soil, more lit LEDs means more soil density.

Notice: The discovery of flaws (non compactable material) is possible if the flaw is longer than a meter. With sudden changes from high to low compacted soil (or vice versa), there is a slow rise or fall in the LEDs.

9.5 Turning off

Notice: The machine does not take the decompression lever out of operation, as this may lead to damage to the machine or engine.

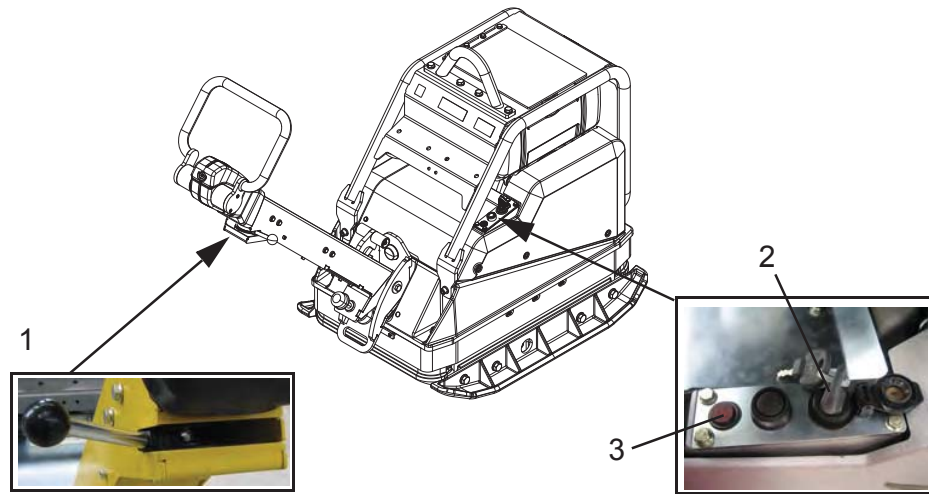
9.5.1 Turning off the machine (manual start)



Pos.	Designation
1	Throttle control lever

1. Pull back gas throttle lever to the hilt.
2. Engine stops.

9.5.2 Turning off the machine (electric starter)



Pos.	Designation	Pos.	Designation
1	Throttle control lever	3	Charging indicator light
2	Ignition lock		

1. Pull back gas throttle lever to the hilt.
2. Once the engine has stopped, turn the ignition key to the left stop and pull out, the charging indicator light goes out, the acoustic signal is silent.

Notice: The Compatec compaction display automatically switches off as soon as the ignition key is removed. The display unit does not have a sleep function. Continuous operation without engine operation leads to the battery draining.

10 Maintenance

**WARNING**

Improper handling may result in injury or serious material damage.

- ▶ Read and follow all safety instructions in this manual.
-

**WARNING**

Danger of poisoning by exhaust fumes.

Exhaust fumes contain poisonous carbon monoxide, which may lead to unconsciousness or death.

- ▶ Only perform maintenance work when the engine is switched off and the machine is idle.
-

**WARNING**

Risk of injury from the machine starting in an uncontrolled manner and moving parts.

- ▶ Only perform maintenance work when the engine is switched off and the machine is idle.
-

**WARNING**

Fire and explosion hazard due to fuel and fuel vapors

Fuel and fuel vapors can ignite or catch fire and cause serious burns.

- ▶ No smoking.
 - ▶ Do not refuel near an open flame.
 - ▶ Before refueling, switch off engine and allow to cool.
-

**WARNING**

Hot surface warning

Exhaust muffler and engine can become very hot, which can cause severe burns upon contact with the skin after a very short time.

- ▶ Always allow machine to cool after use.
 - ▶ If the cooling period cannot be adhered to (e.g. due to an emergency), use heat-resistant protective gloves.
-



WARNING

Risk of injury due to non-existent or non-functioning safety devices.

- ▶ Only operate the machine if the safety devices are properly installed and working.
- ▶ Do not modify or remove safety devices.

10.1 Maintenance table

Maintenance work	daily	h /Y	weekly	monthly
Clean machine Inspection for completeness Inspection for damage	■			
Check engine oil level*	■			
Change engine oil*		25 h / 250 h		
Change engine oil filter*		25 h / 250 h		
Clean, adjust, repair, change fuel injectors*		1500 h		
Clean, adjust, repair, change injection valve*		3000 h		
Change fuel filter*		500 h		
Check water trap*			■	
Check intake area of the combustion air*	■			
Check air filter maintenance indicator*	■			
Clean air filter cartridge*		500 h		
Check tapped clearance**		25 h / 250 h		
Check exciter oil level				■
Change exciter oil		250 h / 1/2 y		
Check hydraulic oil level**				■
Check hydraulic hose lines**		125 h		
Check - change V-belt				■
Check rubber buffer**		125 h		

Maintenance work	daily	h /Y	weekly	monthly
Make sure the screwed connections are firmly in place.	■			■
Regrease threaded spindle and stop bolt pin			■	
Check battery fluid level*		250 h		
*Observe engine operator's manual ** This work is to be performed by the Wacker Neuson contact partner's service.				

10.2 Maintenance work



CAUTION

Health hazard due to fuel, lubricants and coolants.

- ▶ Do not breathe in vapors, fuel, lubricants or coolants.
- ▶ Avoid skin and eye contact with fuel, lubricants and coolants.



WARNING

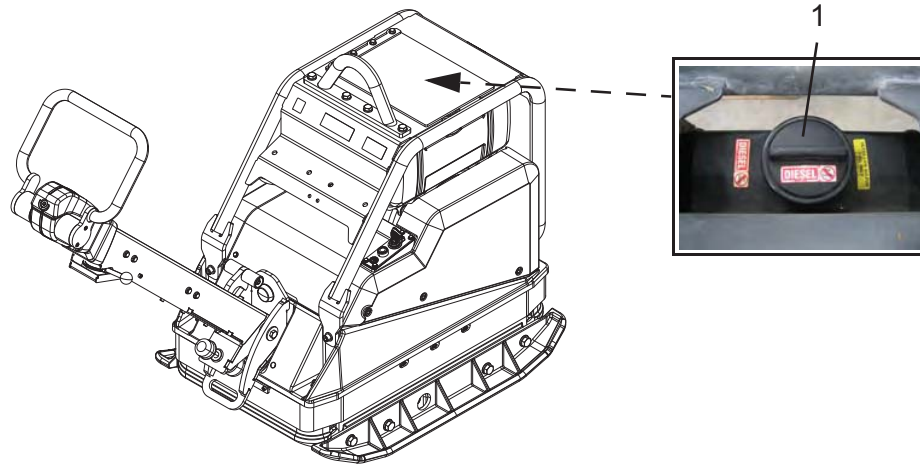
Fire and explosion hazard due to fuel and fuel vapors.

- ▶ No smoking.
- ▶ Do not refuel near an open flame.
- ▶ Before fuelling, switch off engine and allow to cool. Refuel only in well-ventilated areas.

Carry out preparations

1. Place the machine on a level surface.
2. Turn the machine off.
3. Let the engine cool.

Check fuel level and refill.

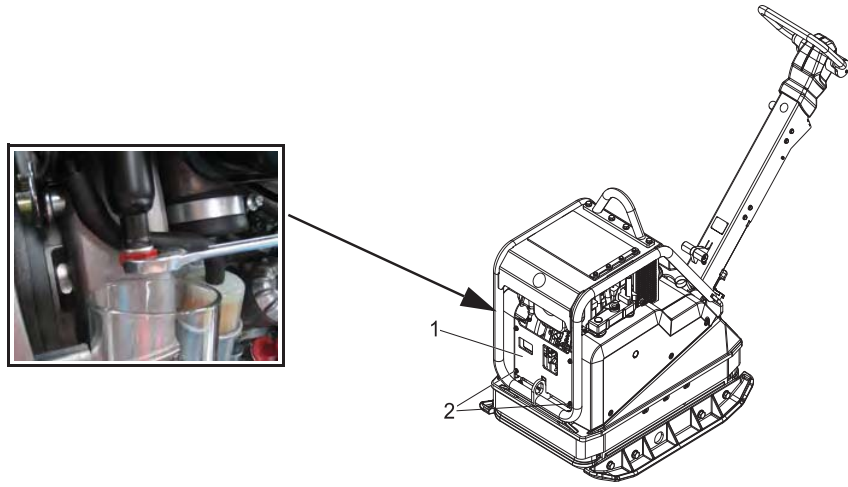


Pos.	Designation
1	Fuel filler neck

1. Fold cover on side.
2. Remove any dirt around the fuel filler neck.
3. Open fuel filler neck
4. Visually check fuel level
5. If necessary, refill fuel with a clean filling vessel
For fuel type see chapter *Technical data*.

- Notice:** Fill fuel tank only to bottom of filler neck.
6. Close fuel cap securely.

Check water trap



Pos.	Designation	Pos.	Designation
1	Cover plate	2	Hexagonal bolt

1. Remove cover plate.
2. Loosen hexagonal bolt by 2-3 turns.
3. Collect the drops which emerge in a transparent container.

Notice: Since water is heavier than diesel fuel, water appears first and then fuel. This is indicated by a clear dividing line.

4. If only fuel emerges, tighten the hexagonal bolt.
5. Replace cover plate.

Clean machine



WARNING

Fire and explosion hazard when using flammable cleaning agents.

- ▶ Do not clean the machine and components with gasoline or other solvents.

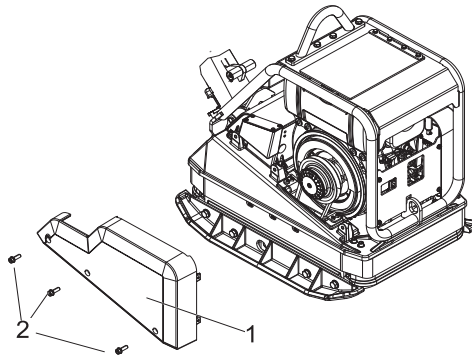
Notice: Permeating water can damage the engine, electrical controls or components of the machine. Do not direct high pressure washers directly at the air intake area and electrical components.

1. After cleaning, check cables, hoses, lines and fittings for leaks, loose connections, abrasions and other damage.
2. Repair identified damage immediately.

Screwed connections

With vibration plates the screwed connections must be checked for tightness periodically.

Check and change V-belt and belt stabilizer



Pos.	Designation	Pos.	Designation
1	Belt guard	2	Screw

1. Remove V-belt guard
2. Check the condition of the V-belt and the belt stabilizer, if belt width is less than the dimension of 15.5 mm or there is visible damage, it must be changed.
3. Loosen screws.
4. Remove spindle, disc springs and seal.
5. Pull V-belt disc (engine) out from the machine, V-belt relaxes.
6. Press V-belt down until it drops from the V-belt disc.
7. Pull V-belt upwards.

Notice: Do not oil or grease clutch components, destruction of graphite bushings and slippage of the friction pads and V-belt.

8. Place a new V-belt on the V-belt disc (exciter) and press on the V-belt disc (engine).

Notice: By reciprocal movement of the V-belt, check whether it is properly seated in both V-belt discs.

9. Press V-belt disc (engine) inside towards the machine.
10. Tighten seal, disc springs and spindle with screw. Tightening torque 49 Nm.

Notice: By using the automatic centrifugal clutch a re-tightening of the V-belt is not required.

11. Replace and tighten the V-belt guard. Tightening torque 25 Nm.

Change exciter oil and check oil level

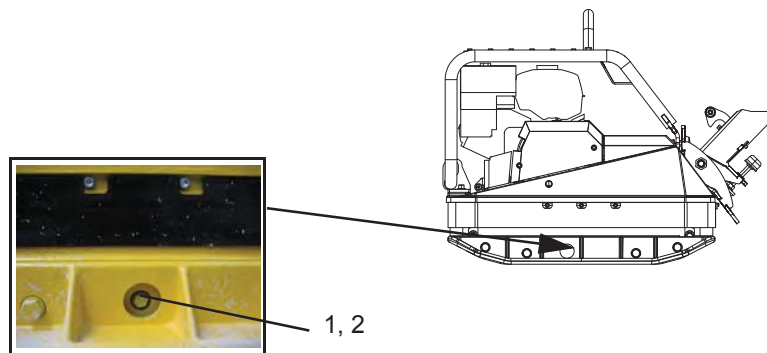


DANGER

Danger of scalding

► Caution when draining hot oil.

Notice: Change oil and check oil level in the event of hot exciter oil. Machine must be idle and level.



Pos.	Designation	Pos.	Designation
1	Screw plug	2	Filler boring

Notice: To protect against oil spills, equip work surface with an impermeable film.

1. Tilt and prop up machine to the side of the filler boring.
2. Place a suitable container under the filler boring.
3. Remove any dirt around the filler boring.
4. Unscrew screw plug from filler boring, completely drain the used oil.

Notice: Collect leaking or overflowing oil and, together with the used oil, dispose of in an environmentally friendly manner in accordance with regulations.

5. Tilt and prop up machine on the other side.

Notice: Only fill the prescribed amount of oil.

6. Fill new oil (for exciter oil type and quantity see chapter *Technical Data*) in the filler boring, use appropriate and clean filling vessel.
7. Place the machine horizontally on a level surface.
8. Screw in the screw plug with sealing ring in the filler boring. Tightening torque 100 Nm.

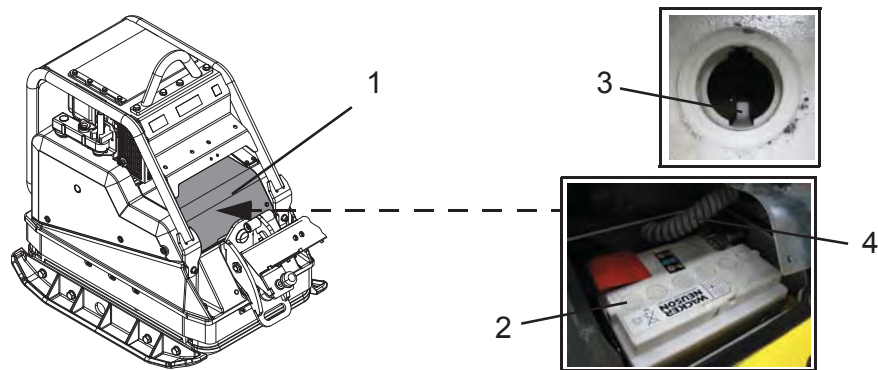
Check battery fluid level



WARNING

Risk of injury from corrosive acid.

- ▶ Wear protective glasses and chemical resistant protective gloves.



Pos.	Designation	Pos.	Designation
1	Battery cover	3	Fluid level marking
2	Sealing caps	4	Coiled helix cable

1. Remove battery cover.

Notice: Check for damage to the coiled helix cable for machines with Compatec compaction display.

2. Unscrew screw caps from all cells.
3. Check whether the fluid level in all cells is above the mark.
4. When the fluid level falls below the mark, add distilled water.
5. Screw back screw caps on all cells.

Notice: Before battery cover is installed, ensure that positive terminal cover is available. Check degassing hose is kink-free
 With machines with Compatec compaction display, pay attention to the coiled helix cable.

6. Replace battery cover.

Change battery



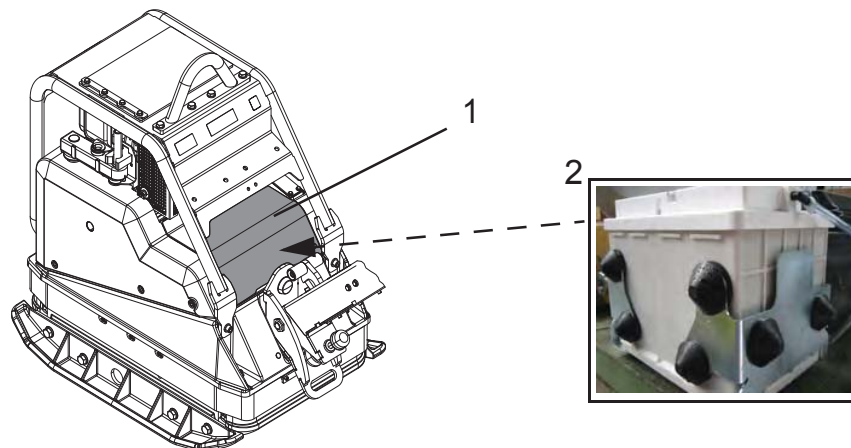
DANGER

Electric shock

Risk of injury by simultaneously touching the positive terminal and ground.

- ▶ Always disconnect the negative terminal first.
- ▶ Always connected the positive terminal first.

Notice: Only use Wacker Neuson batteries.
 Only replace defective batteries with Wacker Neuson batteries, see chapter *Technical data*.
 Only Wacker Neuson batteries are vibration resistant and therefore suitable for high vibration loads.



Pos.	Designation	Pos.	Designation
1	Battery cover	2	Battery

1. Remove battery cover.

Notice: First disconnect negative terminal, then positive terminal.

2. Disconnect the battery and remove the degassing hose.
3. Lift out defective battery and take away the battery protectors.

4. Attach the battery protectors to the new battery.
5. Insert the new battery and degassing hose.

Notice: First connect positive terminal, then the negative terminal.

6. Connect battery.



Pos.	Designation	Pos.	Designation
1	Positive terminal cover	2	Degassing hose
3	Coiled helix cable		

Notice: Before battery cover is installed, ensure that positive terminal cover is available. Check degassing hose is kink-free
With machines with Compatec compaction display, pay attention to the coiled helix cable.

7. Replace battery cover.

11 Troubleshooting



DANGER

Danger to life through unauthorised troubleshooting.

- ▶ If faults arise with this machine that are not described in this manual, contact the manufacturer. Do not arbitrarily fix faults.

11.1 Fault table

Fault	Possible causes	Remedial measure
Reverse travel speed too low.	Insufficient hydraulic oil in the centre pole head.	Fill with hydraulic oil.
Forward speed too low.	Too much hydraulic oil in the centre pole head.	Correct oil level accordingly.*
	Air in the hydraulic control system.	Bleed.*
Not moving forward.	Mechanical fault.	Have the machine repaired.*
Loss of hydraulic oil.	Leaks	Have the machine repaired.*
Engine will not start.	Defective ignition lock.	Have the machine repaired.*
	Defective starter motor.	
	Starter button failure.	
	Battery empty.	Charge battery.
	Low oil level.	Add oil and actuate valve lever on the oil filter housing once.
Charge indicator light does not go out.	Alternator failure.	Have the machine repaired.*
Switch cannot be silenced.	Regulator failure.	
Compaction display (optional): If all LEDs are permanently flashing after initialisation, the sensor has not been successfully tested.	Switch-on procedure when engine is running.	Have the machine repaired.*
	Sensor failure.	

*This work is to be performed by the Wacker Neuson contact partner's service.



11.2 Performing jump start with donor battery

If the battery of the machine is discharged and the engine no longer starts, a jump start with a donor battery is possible.

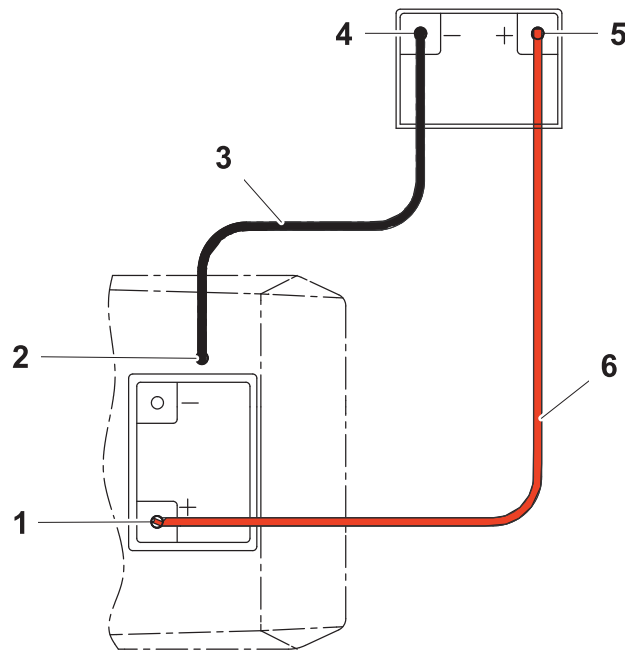


WARNING

Explosion hazard due to oxyhydrogen.
Risk of injury from splashing acid.

- ▶ Wear safety glasses and chemical resistant protective gloves.
- ▶ Donor battery and the machine must have the same voltage (12 V).
- ▶ Avoid short-circuit due to reverse polarity (plus to plus, minus to minus).
- ▶ Follow sequence when connecting the jumper cables.

Notice: Use only insulated jumper cables with a cable cross-section of at least 16 mm.



Pos.	Designation	Pos.	Designation
1	Positive terminal of the discharged battery	4	Negative terminal of the donor battery
2	Negative terminal at ground point	5	Positive terminal of the donor battery
3	Black jumper cable	6	Red jumper cable

1. Connect the clamping pliers of the red jumper cable to the positive terminal of the discharged battery.
2. Connect the second clamping pliers of the red jumper cable to the positive terminal of the donor battery.
3. Connect the clamping pliers of the black jumper cable to the negative terminal of the donor battery.
4. Connect the second clamping pliers of the black jumper cable to a ground point of the machine e.g. on the engine block.

Help starting

5. Start engine.
If the engine does not switch on after 15 seconds, abort start attempt and Wacker Neuson contact partner.
6. Let the engine run for several minutes.

Disconnect the jumper cables

7. Disconnect the clamping pliers of the black jumper cable from the ground point of the machine.
8. Disconnect the clamping pliers of the red jumper cable from the donor battery.
9. Disconnect the clamping pliers of the red jumper cable from the positive terminal of the discharged battery.
10. Disconnect the clamping pliers of the red jumper cable from the positive terminal of the donor battery.

12 Disposal

12.1 Disposal of batteries

For customers in EU countries

The device contains one or more batteries or accumulators (hereinafter referred to as "the battery"). This battery is subject to the European Directive on (waste) batteries and (waste) accumulators and the respective national laws. The battery directive outlines the framework for an EU-wide treatment of batteries.



The battery is marked with the symbol of a crossed-out wheeled bin. Below this symbol there is also the name of the pollutants contained, namely "Pb" for lead, "Cd" for cadmium and "Hg" for mercury.

Batteries may not be disposed of with normal household waste. As end users, you must only dispose of used batteries via the manufacturers and retailers or if applicable especially provided collection points (by law); there is no charge for this. Retailers and manufacturers are obliged to take back these batteries and properly recycle or dispose of them as hazardous waste (legal obligation). Naturally you can also return the batteries purchased from us after use free of charge. If you do not hand in the batteries personally at one of our branches, please ensure you have paid sufficient postage for the return package. Please also take note of any instructions in the sales contract and the general conditions of your sale.

Proper disposal of the battery avoids negative effects on people and the environment, helps with the targeted treatment of pollutants and ensures recycling of useful raw materials.

For customers in other countries

The device contains one or more batteries or accumulators (hereinafter referred to as "the battery"). Proper disposal of the battery avoids negative effects on people and the environment, helps with the targeted treatment of pollutants and ensures recycling of useful raw materials. We recommend that you do not dispose of the battery with normal household waste, but in an environmentally sound manner in a separate waste collection. National laws may also provide for separate disposal of batteries. Please ensure you dispose of the battery safely in accordance with applicable regulations in your country.

13 Accessories

**CAUTION**

Accessories and spare parts not from Wacker Neuson may increase the risk of injury and possible damage to the machine.

- ▶ By using other accessories and spare parts not from Wacker Neuson all liability is eliminated.
-

A wide range of accessories is available for the machine.

For more information on the individual accessories see www.wackerneuson.com.

Extension plates

Extension plates are available for the machine in different widths, which can increase or reduce the width of the machine.

Sliding

Sliders provide maximum protection against damage to the paving stone surface, which is required especially in surface-coated paving locations.

Starting crank

DPU 4545 and DPU 5545 - short tool shank of the starting crank.

DPU 6555 - long tool shank of the starting crank.

Starting crank bracket

To hold the starting crank on the machine, a starting crank bracket can be mounted.

Chassis

A chassis is offered for easier transport to the construction site.



14 Technical data

Designation	Unit	DPU 4545H	DPU 4545He	DPU 4545He US
Item no.		5100009661	5100009659	5100009660
Centrifugal force	kN	45.00	45.00	45.00
Vibrations	Hz	69	69	69
	1/min	4,140	4,140	4,140
Surface capacity	m ² /h	910	910	910
Forward travel	m/min	25.0	25.0	25.0
Reverse travel	m/min	19.6	19.6	19.6
Gradeability	%	57.7	57.7	57.7
Length (center pole in working position)	mm	1,661	1,661	1,661
Width	mm	604	604	604
Height	mm	1,308	1,308	1,308
Operating weight:	kg	402.0	423.0	423.0
Ground clearance	mm	790 – 914	790 – 914	790 – 914
Rated performance**	kW	6.4	6.4	6.4
nominal rotation speed	1/min	2,850	2,850	2,850
Exciter oil volume	l	0.75	0.75	0.75
Exciter oil type		SAE 10W40	SAE 10W40	SAE 10W40
Hydraulic oil volume	l	0.5	0.5	0.5
Hydraulic oil type		MR 520	MR 520	MR 520
Bearing temperature range	°C	-15 – +40	-15 – +40	-15 – +40
Operating temperature range	°C	-15 – +40	-15 – +40	-15 – +40
Sound pressure level in operator space L _{pA}	dB(A)	94.0	94.0	94.0
Standard		EN 500-4		
Sound power level L _{wa} measured guaranteed	dB(A)	106.1	106.1	106.1
		108	108	108

Designation	Unit	DPU 4545H	DPU 4545He	DPU 4545He US
Standard		EN 500-4, 2000/14/EG		
Vibration total value a_{hv} Standard	m/s ²	1.5	1.5	1.5
		EN 500-4		
Uncertainty of measurement of the vibration total value a_{hv}	m/s ²	0.5	0.5	0.5
* Depending on soil conditions.				
** Accordance with the installed useful power according to Directive 2000/14/EC.				



14.1 Combustion engine

Designation	Unit			
Manufacturer		Hatz		
Engine type		1D42S-151C	1D42S-152	1D42S-177
Combustion process		four-cycle	four-cycle	four-cycle
Cooling		Air cooling	Air cooling	Air cooling
Cylinders		1	1	1
Displacement	cm ³	445	445	445
Max. permissible lift	o	30.0	30.0	30.0
Fuel type		Diesel	Diesel	Diesel
Fuel consumption	l/h	1.6	1.6	1.6
Tank capacity	l	5.0	5.0	5.0
Oil specification		SAE 10W40	SAE 10W40	SAE 10W40
Max. oil fill	l	1.1	1.1	1.1
Max. power	kW	7.0	7.0	7.0
Standard		DIN ISO 3046 IFN		
Speed (max. power)	1/min	3,600	3,600	3,600
Rated performance	kW	6.4	6.4	6.4
Standard		DIN ISO 3046 IFN		
nominal rotation speed	1/min	2,850	2,850	2,850
Rated power output	kW	4.9	4.9	4.9
Standard		DIN ISO 3046 IFN		
Operating speed Standard	1/min	3,000	3,000	3,000
		DIN ISO 3046 IFN		
Upper engine speed with- out load	1/min	3,060	3,060	3,060
Air cleaner		Dry air filter	Dry air filter	Dry air filter
Starter type		Crank handle start	Electric starter	Electric starter

Designation	Unit		
Battery voltage	V	–	Spezial Wacker Neuson battery for vibratory plates, 12 V, 46 Ah
Battery capacity (nominal value)	Ah	–	



15 Technical data

Designation	Unit	DPU 5545H	DPU 5545He	DPU 5545 Meep	DPU 5545 Mec
Item no.		5100009656	5100009652	5100009654	5100009655
Centrifugal force	kN	55.00	55.00	55.00	55.00
Vibrations	Hz	69	69	69	69
	1/min	4,150	4,150	4,150	4,150
Surface capacity	m ² /h	980	980	1,170	980
Forward travel	m/min	27.0	27.0	26.0	27.0
Reverse travel	m/min	20.0	20.0	20.0	20.0
Gradeability	%	57.7	57.7	57.7	57.7
Length (center pole in working position)	mm	1,661	1,661	1,661	1,661
Width	mm	604	604	750	604
Height	mm	1,308	1,308	1,308	1,308
Operating weight:	kg	399.0	424.0	447.0	425.5
Ground clearance	mm	790 – 914	790 – 914	790 – 914	790 – 914
Rated performance**	kW	6.4	6.4	6.4	6.4
nominal rotation speed	1/min	2,850	2,850	2,850	2,850
Exciter oil volume	l	0.75	0.75	0.75	0.75
Exciter oil type		SAE 10W40	SAE 10W40	SAE 10W40	SAE 10W40
Hydraulic oil volume	l	0.5	0.5	0.5	0.5
Hydraulic oil type		MR 520	MR 520	MR 520	MR 520
Bearing temperature range	°C	-15 – +40	-15 – +40	-15 – +40	-15 – +40
Operating temperature range	°C	-15 – +40	-15 – +40	-15 – +40	-15 – +40
Sound pressure level in operator space L _{pA}	dB(A)	94.0	94.0	94.0	94.0
Standard		EN 500-4			

Designation	Unit	DPU 5545H	DPU 5545He	DPU 5545 Meep	DPU 5545 Mec
Sound power level L_{wa} measured guaranteed	dB(A)	107.1 108	107.1 108	107.1 108	107.1 108
Standard		EN 500-4, 2000/14/EG			
Vibration total value a_{hv} Standard	m/s^2	1.5	1.5	1.5	1.5
		EN 500-4			
Uncertainty of measurement of the vibration total value a_{hv}	m/s^2	0.5	0.5	0.5	0.5
* Depending on soil conditions.					
** Accordance with the installed useful power according to Directive 2000/14/EC.					

15 Technical data

Designation	Unit	DPU 5545He US
Item no.		5100009653
Centrifugal force	kN	55.00
Vibrations	Hz	69
	1/min	4,150
Surface capacity	m ² /h	980
Forward travel	m/min	27.0
Reverse travel	m/min	20.0
Gradeability	%	57.7
Length (center pole in working position)	mm	1,661
Width	mm	604
Height	mm	1,308
Operating weight:	kg	424.0
Ground clearance	mm	790 – 914
Rated performance**	kW	6.4
nominal rotation speed	1/min	2,850
Exciter oil volume	l	0.75
Exciter oil type		SAE 10W40
Hydraulic oil volume	l	0.5
Hydraulic oil type		MR 520
Bearing temperature range	°C	-15 – +40
Operating temperature range	°C	-15 – +40
Sound pressure level in operator space L _{pA}	dB(A)	94.0
Standard		EN 500-4
Sound power level L _{wa} measured guaranteed	dB(A)	107.1 108
Standard		EN 500-4, 2000/14/EG

Designation	Unit	DPU 5545He US
Vibration total value a_{hv} Standard	m/s ²	1.5
		EN 500-4
Uncertainty of measurement of the vibration total value a_{hv}	m/s ²	0.5
* Depending on soil conditions.		
** Accordance with the installed useful power according to Directive 2000/14/EC.		

15.1 Combustion engine

Designation	Unit			
Manufacturer		Hatz		
Engine type		1D42S-151C	1D42S-152C	1D42S-177
Combustion process		four-cycle	four-cycle	four-cycle
Cooling		Air cooling	Air cooling	Air cooling
Cylinders		1	1	1
Displacement	cm ³	445	445	445
Max. permissible lift	o	30.0	30.0	30.0
Fuel type		Diesel	Diesel	Diesel
Fuel consumption	l/h	1.6	1.6	1.6
Tank capacity	l	5.0	5.0	5.0
Oil specification		SAE 10W40	SAE 10W40	SAE 10W40
Max. oil fill	l	1.1	1.1	1.1
Max. power	kW	7.0	7.0	7.0
Standard		DIN ISO 3046 IFN		
Speed (max. power)	1/min	3,600	3,600	3,600
Rated performance	kW	6.4	6.4	6.4
Standard		DIN ISO 3046 IFN		
nominal rotation speed	1/min	2,850	2,850	2,850
Rated power output	kW	4.9	4.9	4.9
Standard		DIN ISO 3046 IFN		
Operating speed Standard	1/min	3,000	3,000	3,000
		DIN ISO 3046 IFN		
Upper engine speed with- out load	1/min	3,060	3,060	3,060
Air cleaner		Dry air filter	Dry air filter	Dry air filter
Starter type		Crank handle start	Electric starter	Electric starter

Designation	Unit		
Battery voltage	V	–	Spezial Wacker Neuson battery for vibratory plates, 12 V, 46 Ah
Battery capacity (nominal value)	Ah	–	



16 Technical data

Designation	Unit	DPU 6555H	DPU 6555He	DPU 6555 Meep	DPU 6555 Mec
Item no.		5100009651	5100009636	5100009638	5100009639
Centrifugal force	kN	65.00	65.00	65.00	65.00
Vibrations	Hz	69	69	69	69
	1/min	4,150	4,150	4,150	4,150
Surface capacity	m ² /h	1,200	1,200	1,450	1,200
Forward travel	m/min	28.0	28.0	28.0	28.0
Reverse travel	m/min	20.5	20.5	20.5	20.5
Gradeability	%	46.6	46.6	46.6	46.6
Length (centre pole in working position)	mm	1,664	1,664	1,664	1,664
Width	mm	710	710	860	710
Height	mm	1,308	1,308	1,308	1,308
Operating weight:	kg	480.0	495.0	518.0	496.5
Ground clearance	mm	861 – 1,005	861 – 1,005	861 – 1,005	861 – 1,005
Rated performance**	kW	9.6	9.6	9.6	9.6
nominal rotation speed	1/min	2,800	2,800	2,800	2,800
Exciter oil volume	l	0.75	0.75	0.75	0.75
Exciter oil type		SAE 10W40	SAE 10W40	SAE 10W40	SAE 10W40
Hydraulic oil volume	l	0.5	0.5	0.5	0.5
Hydraulic oil type		MR 520	MR 520	MR 520	MR 520
Bearing temperature range	°C	-15 – +40	-15 – +40	-15 – +40	-15 – +40
Operating temperature range	°C	-15 – +40	-15 – +40	-15 – +40	-15 – +40
Sound pressure level in operator space L _{pA}	dB(A)	97.0	97.0	97.0	97.0
Standard		EN 500-4			

Designation	Unit	DPU 6555H	DPU 6555He	DPU 6555 Meep	DPU 6555 Mec
Sound power level L_{wa} measured guaranteed	dB(A)	108	108	108	108
		109	109	109	109
Standard		EN 500-4, 2000/14/EG			
Vibration total value a_{hv} Standard	m/s ²	1.3	1.3	1.3	1.3
		EN 500-4			
Uncertainty of measurement of the vibration total value a_{hv}	m/s ²	0.5	0.5	0.5	0.5
* Depending on soil conditions.					
** Accordance with the installed useful power according to Directive 2000/14/EC.					

16 Technical data

Designation	Unit	DPU 6555He US	DPU 6555Hec US
Item no.		5100009637	5100009650
Centrifugal force	kN	65.00	65.00
Vibrations	Hz	69	69
	1/min	4,150	4,150
Surface capacity	m ² /h	1,200	1,200
Forward travel	m/min	28.0	28.0
Reverse travel	m/min	20.5	20.5
Gradeability	%	46.6	46.6
Length (centre pole in working position)	mm	1,664	1,664
Width	mm	710	710
Height	mm	1,308	1,308
Operating weight:	kg	495.0	496.5
Ground clearance	mm	861 – 1,005	861 – 1,005
Rated performance**	kW	9.6	9.6
nominal rotation speed	1/min	2,800	2,800
Exciter oil volume	l	0.75	0.75
Exciter oil type		SAE 10W40	SAE 10W40
Hydraulic oil volume	l	0.5	0.5
Hydraulic oil type		MR 520	MR 520
Bearing temperature range	°C	-15 – +40	-15 – +40
Operating temperature range	°C	-15 – +40	-15 – +40
Sound pressure level in operator space L _{pA}	dB(A)	97.0	97.0
Standard		EN 500-4	
Sound power level L _{wa} measured guaranteed	dB(A)	108 109	108 109
Standard		EN 500-4, 2000/14/EG	

Designation	Unit	DPU 6555He US	DPU 6555Hec US
Vibration total value a_{hv} Standard	m/s ²	1.3	1.3
		EN 500-4	
Uncertainty of measurement of the vibration total value a_{hv}	m/s ²	0.5	0.5
* Depending on soil conditions.			
** Accordance with the installed useful power according to Directive 2000/14/EC.			

16.1 Combustion engine

Designation	Unit			
Manufacturer		Hatz		
Engine type		1D81S-248G	1D81S-249H	1D81S-319
Combustion process		four-cycle	four-cycle	four-cycle
Cooling		Air cooling	Air cooling	Air cooling
Cylinders		1	1	1
Displacement	cm ³	667	667	667
Max. permissible lift	o	25.0	25.0	25.0
Fuel type		Diesel	Diesel	Diesel
Fuel consumption	l/h	1.9	1.9	1.9
Tank capacity	l	6.0	6.0	6.0
Oil specification		SAE 10W40	SAE 10W40	SAE 10W40
Max. oil fill	l	1.9	1.9	1.9
Max. power	kW	10.1	10.1	10.1
Standard		DIN ISO 3046 IFN		
Speed (max. power)	1/min	3,600	3,600	3,000
Rated performance	kW	9.6	9.6	9.6
Standard		DIN ISO 3046 IFN		
nominal rotation speed	1/min	2,800	2,800	3,000
Rated power output	kW	6.8	6.8	6.8
Standard		DIN ISO 3046 IFN		
Operating speed Standard	1/min	3,010	3,010	3,010
		DIN ISO 3046 IFN		
Upper engine speed with- out load	1/min	3,080	3,080	3,080
Air cleaner		Dry air filter	Dry air filter	Dry air filter
Starter type		Electric starter	Crank handle start	Electric starter

Designation	Unit			
Battery voltage	V	Spezial Wacker Neuson battery for vibratory plates, 12 V, 46 Ah	–	Spezial Wacker Neuson battery for vibratory plates, 12 V, 46 Ah
Battery capacity (nominal value)	Ah		–	



17 Emission control systems information and warranty

The Emission Control Warranty and associated information is valid only for the U.S.A., its territories, and Canada.

Emission control systems warranty statement

See the *engine owner's manual* for the applicable exhaust and evaporative emission warranty statement.





EC Declaration of Conformity

Manufacturer

Wacker Neuson Produktion GmbH & Co. KG, Preußenstraße 41, 80809 München

Product

Product	DPU 4545H	DPU 4545He
Product category	Vibrating plate	
Product function	Compacting soils	
Item number	5100009661	5100009659
Net installed power	6.4 kW	6.4 kW
Measured sound power level	106.1 dB(A)	106.1 dB(A)
Guaranteed sound power level	108 dB(A)	108 dB(A)

Conformity assessment procedure

According to 2000/14/EC, Appendix VIII, 2005/88/EC.

Notified body

VDE Prüf- und Zertifizierungsinstitut GmbH, Merianstraße 28, 63069 Offenbach/Main

Directives and standards

We hereby declare that this product meets and complies with the relevant regulations and requirements of the following directives and standards:

2006/42/EC, 2000/14/EC, 2005/88/EC

Authorized person for technical documents

Axel Häret,
Wacker Neuson Produktion GmbH & Co. KG, Preußenstraße 41, 80809 München

Munich, 08/13/2014

Helmut Bauer
Managing Director



EC Declaration of Conformity

Manufacturer

Wacker Neuson Produktion GmbH & Co. KG, Preußenstraße 41, 80809 München

Product

Product	DPU 5545H	DPU 5545He	DPU 5545Heap	DPU 5545Hec
Product category	Vibrating plate			
Product function	Compacting soils			
Item number	5100009656	5100009652	5100009654	5100009655
Net installed power	6.4 kW	6.4 kW	6.4 kW	6.4 kW
Measured sound power level	107.1 dB(A)	107.1 dB(A)	107.1 dB(A)	107.1 dB(A)
Guaranteed sound power level	108 dB(A)	108 dB(A)	108 dB(A)	108 dB(A)

Conformity assessment procedure

According to 2000/14/EC, Appendix VIII, 2005/88/EC.

Notified body

VDE Prüf- und Zertifizierungsinstitut GmbH, Merianstraße 28, 63069 Offenbach/Main

Directives and standards

We hereby declare that this product meets and complies with the relevant regulations and requirements of the following directives and standards:

2006/42/EC, 2000/14/EC, 2005/88/EC

Authorized person for technical documents

Axel Häret,
Wacker Neuson Produktion GmbH & Co. KG, Preußenstraße 41, 80809 München

Munich, 08/13/2014

Helmut Bauer
Managing Director



EC Declaration of Conformity

Manufacturer

Wacker Neuson Produktion GmbH & Co. KG, Preußenstraße 41, 80809 München

Product

Product	DPU 6555H	DPU 6555He	DPU 6555Heap	DPU 6555Hec
Product category	Vibrating plate			
Product function	Compacting soils			
Item number	5100009651	5100009636	5100009638	5100009639
Net installed power	9.6 kW	9.6 kW	9.6 kW	9.6 kW
Measured sound power level	108 dB(A)	108 dB(A)	108 dB(A)	108 dB(A)
Guaranteed sound power level	109 dB(A)	109 dB(A)	109 dB(A)	109 dB(A)

Conformity assessment procedure

According to 2000/14/EC, Appendix VIII, 2005/88/EC.

Notified body

VDE Prüf- und Zertifizierungsinstitut GmbH, Merianstraße 28, 63069 Offenbach/Main

Directives and standards

We hereby declare that this product meets and complies with the relevant regulations and requirements of the following directives and standards:

2006/42/EC, 2000/14/EC, 2005/88/EC

Authorized person for technical documents

Axel Häret,
Wacker Neuson Produktion GmbH & Co. KG, Preußenstraße 41, 80809 München

Munich, 08/13/2014

Helmut Bauer
Managing Director

Important: For spare parts information, please see your Wacker Neuson Dealer, or visit the Wacker Neuson website at <http://www.wackerneuson.com/>.

Wichtig! Informationen über Ersatzteile erhalten Sie von Ihrem Wacker Neuson Händler oder besuchen Sie die Wacker Neuson Website unter <http://www.wackerneuson.com/>.

Important : Pour des informations sur les pièces détachées, merci de consulter votre distributeur Wacker Neuson, ou de visiter le site Internet de Wacker Neuson sur <http://www.wackerneuson.com/>.

Importante : Para saber más sobre las piezas de repuesto, póngase en contacto con su distribuidor de Wacker Neuson o acceda al sitio web de Wacker Neuson en <http://www.wackerneuson.com/>.

Importante : Per informazioni sui pezzi di ricambio, contattare il rivenditore Wacker Neuson o visitare il sito di Wacker Neuson all'indirizzo www.wackerneuson.com.

Viktigt : För information om reservdelar, kontakta din Wacker Neuson-leverantör eller besök Wacker Neusons webbplats på <http://www.wackerneuson.com/>.

Tärkeää : Pyydä varaosatietoja Wacker Neusonin jälleenmyyjältä tai vieraile Wacker Neusonin web-sivustolla osoitteessa <http://www.wackerneuson.com/>

Viktig : For informasjon om reservedeler, vennligst kontakt din Wacker Neuson-forhandler, eller besøk Wacker Neusons nettside på <http://www.wackerneuson.com/>.

Viktigt : Hvis du ønsker opplysninger om reservedele, bedes du kontakte din Wacker Neuson forhandler eller besøg Wacker Neuson websiden på <http://www.wackerneuson.com/>.

Belangrijk! Neem contact op met uw Wacker Neuson dealer of bezoek de website van Wacker Neuson op <http://www.wackerneuson.com/> voor meer informatie over reserveonderdelen.

Importante : Para obter informações sobre as peças sobresselentes, consulte o seu fornecedor da Wacker Neuson ou acesse ao site Web da Wacker Neuson em http://www.wackerneuson.com

Ważne : W celu uzyskania informacji na temat części zamiennych skontaktuj się z przedstawicielem firmy Wacker Neuson lub skorzystaj z witryny internetowej <http://www.wackerneuson.com/>.

Důležitě upozornění! Pro informace o náhradních dílech, prosím, kontaktujte svého Wacker Neuson dealera, nebo navštivte webové stránky <http://www.wackerneuson.com/>.

FONTOS: A pótalkatrészekre vonatkozó információkért kérjük, forduljon Wacker Neuson kereskedőjéhez vagy látogasson el a Wacker Neuson weboldalára a következő címen: <http://www.wackerneuson.com/>.

Важно! Для ознакомления с информацией о запасных частях, пожалуйста, обратитесь к местному торговому представителю компании Wacker Neuson или посетите веб-сайт <http://www.wackerneuson.com/>.

Σημαντικό : Για πληροφορίες σχετικά με τα ανταλλακτικά, μιλήστε με τον αντιπρόσωπό σας της Wacker Neuson, ή επισκεφθείτε τον ιστότοπο <http://www.wackerneuson.com/>.

Važno : Za rezervne dijelove obratite se svom Wacker Neuson prodavaču ili posjetite mrežne stranice tvrtke Wacker Neuson: <http://www.wackerneuson.com/>.

Önemli : Yedek parça bilgileri için Wacker Neuson Bayinize bakın veya Wacker Neuson web sitesini ziyaret edin. <http://www.wackerneuson.com/>

重要 交換部品の情報については、ワッカーノイゾンディーラーにお問い合わせ頂くか、ワッカーノイゾンウェブサイト <http://www.wackerneuson.com/> をご覧ください。

重要 有关备件信息，请咨询您的威克诺森经销商或访问威克诺森网站：
<http://www.wackerneuson.com/>。

Important : Pentru informații referitoare la piesele de schimb, vă rugăm să vă adresați distribuitorului Wacker Neuson sau să vizitați site-ul web Wacker Neuson la adresa <http://www.wackerneuson.com/>.

Важно : За информация относно резервни части, моля, обърнете се към местния дилър на Wacker Neuson или посетете уебсайта на Wacker Neuson на адрес <http://www.wackerneuson.com/>.

Wacker Neuson Produktion GmbH & Co. KG, Preußenstraße 41, D-80809 München,
Tel.: +49-(0)89-3 54 02-0 Fax: +49 - (0)89-3 54 02-390

Wacker Neuson Production Americas LLC, N92W15000 Anthony Ave., Menomonee Falls, WI. 53051
Tel.: (262) 255-0500 Fax: (262) 255-0550 Tel.: (800) 770-0957

Wacker Neuson Limited - Room 1701-03 & 1717-20, 17/F. Tower 1, Grand Century Place, 193 Prince Edward Road West, Mongkok, Kowloon, Hongkong. Tel: (852) 3605 5360, Fax: (852) 2758 0032